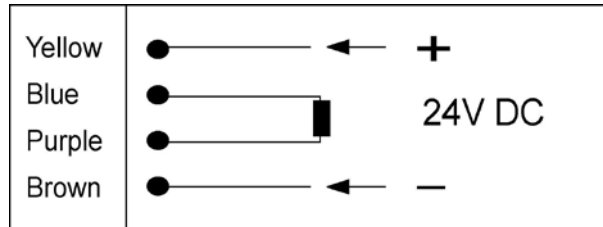
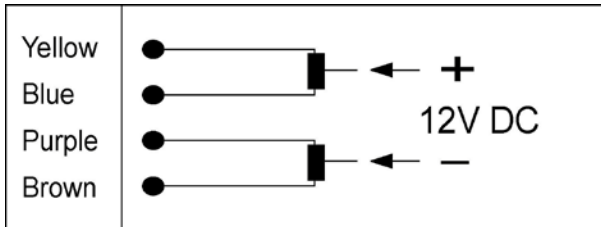


Installation Instructions for 1300GF

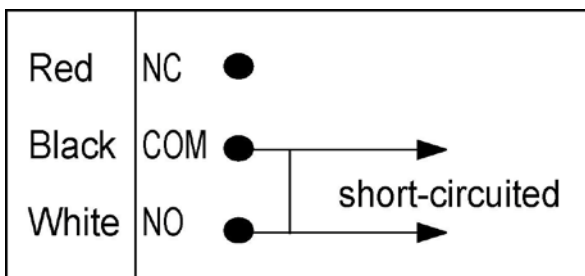
(Out-swing door)

A. Applicable Door Type : safety door, fireproof door, steel door, aluminum door

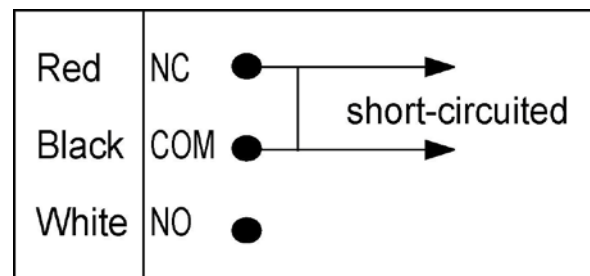
B. Please select the correct wiring for DC12V or DC24V voltage input.



C. The door held status output :

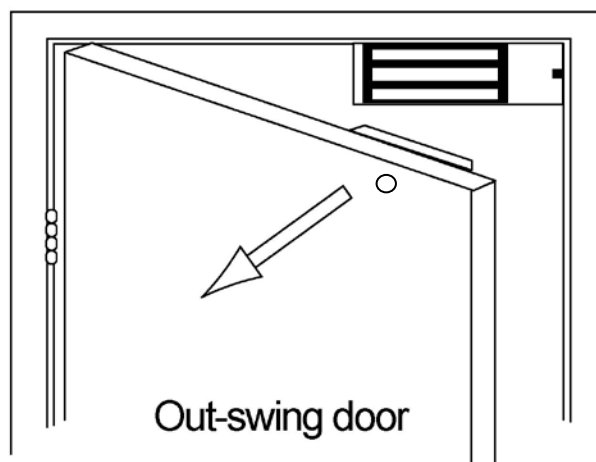


When power on, the output dry contacts (COM&NO) are shorted as the door is closed.



When power on, the dry contacts (COM&NC) are shorted as the door is opened.
The dry contacts (COM&NC) are shorted also as power off.

D. Installing examples :



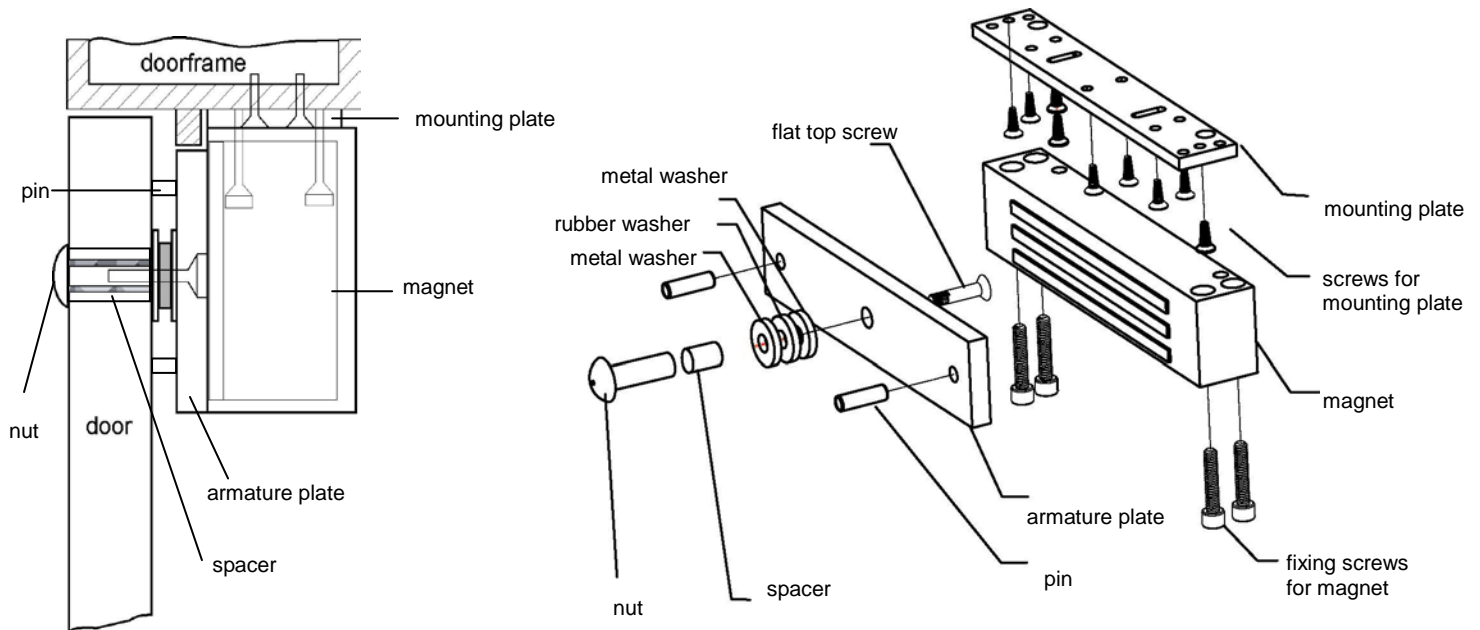
W-04-1300GF

E. Installing procedures

Step 1: Fix the mounting plate to the doorframe with its associated screws. Attach the magnet to the mounting plate afterwards. (Please refer to the figure 1 for the magnet, mounting plate and all the associated components.)

Step 2: Please put the rubber washer between two metal washers firstly and then put them between armature plate and nut. Lock the flattop screw in the middle of armature plate to the nut.

Note: Make sure the armature plate can be slightly shaken when locked. This will provide better conjunction to the magnet and reach the best efficiency.



(Side View)

(Figure 1)