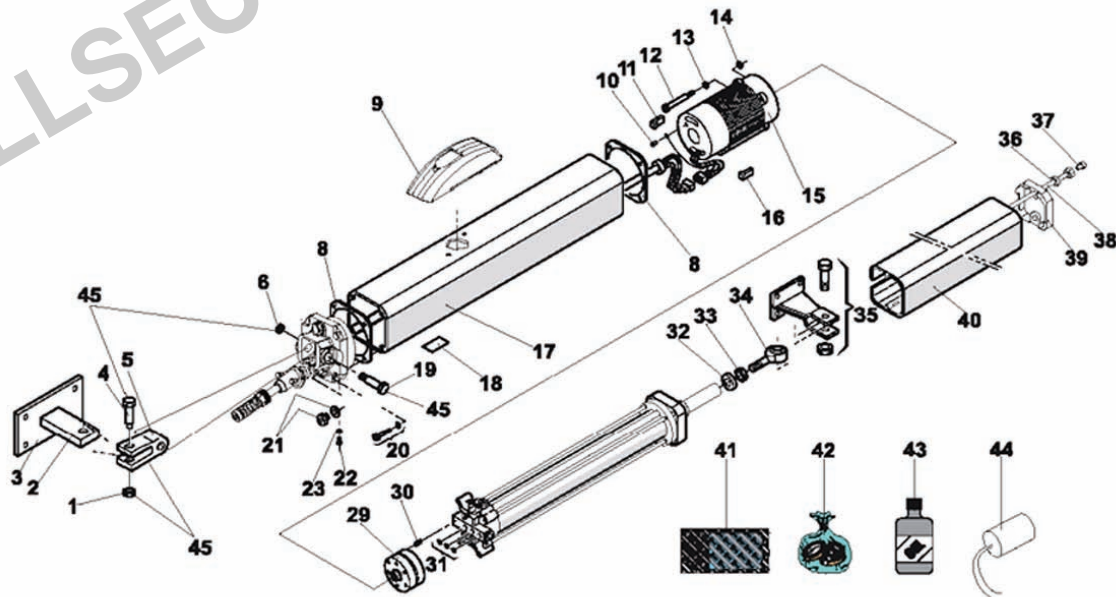


# MODEL 400 BLOW UP AND PARTS LIST

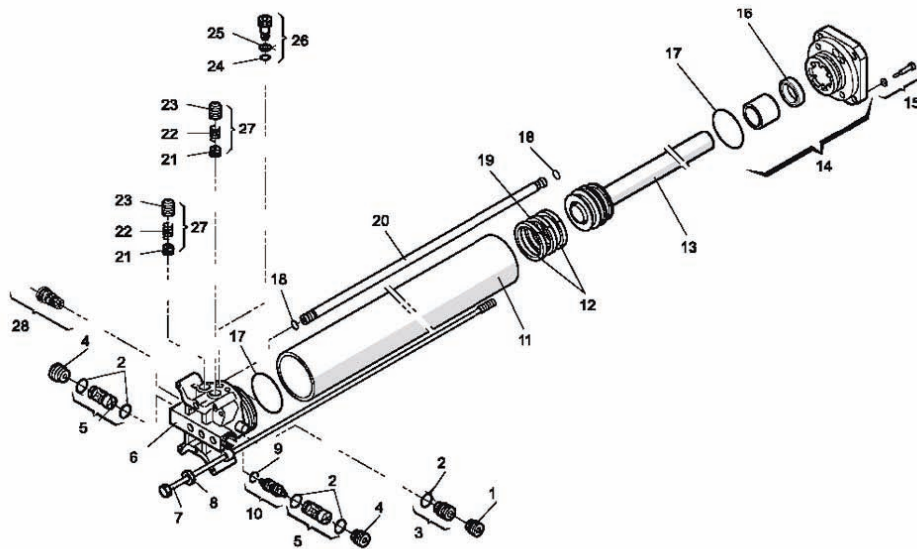
POS	PART NO	DESCRIPTION	QTY	LIST PRICE
1	2036	Galvanized Nut (8mm)	1	3.00
2	7220015	Rear Bracket	1	31.00
3	7284005	Rear Bracket Plate	1	16.00
4	7182075	Short Pin	1	11.00
5	7228015	Rear Fork	1	33.00
6	2037	Self-Locking Nut (8 mm)	1	3.00
8	70991015	Gasket (D80)	2	4.00
9	490325	Locking Cap Kit	1	58.00
10	N/A	Self Threading Screw (4mm)	1	N/A
11	7119475	Vibration Dampener	2	3.00
12	2365	Motor Bolt (4x50 mm)	4	3.00
13	2366	Lock Washer (4 mm)	4	3.00
14	2367	Hex Nut (4 mm)	4	3.00
15*	77000425	115V 1400 RPM Motor	4	167.00
16	7119485	Vibration Dampener	2	3.00
17	7161825	Operator Body 400	1	90.00
17a	7161835	Operator Body (Long/EG)	1	104.00
18	N/A	Vent Scre Label	1	N/A
19	7182175	Long Pin	1	12.00
20	N/A	T20 Torx (5 x 20mm)	4	N/A
21	7110015	Oil Plug	1	2.00
22	2274	Vent Screw (4x6 mm)	3	4.00
23	7094065	Gasket (copper)	3	2.00
29	3204425	1 Lt. Lobe Pump	1	158.00
30	N/A	Pump Pin (4x28mm)	1	N/A
31	7090010015	O-Ring	3	2.00

POS	PART NO	DESCRIPTION	QTY	LIST PRICE
32	3060	Washer (Swivel)	1	2.00
33	2069	Swivel Jam Nut (10mm)	1	4.00
34	7073095	Swivel Joint square	1	69.00
35	7220355	Front Mounting Bracket	1	26.00
35a	7220365	Front Mounting Bracket (Long E/G)	1	29.00
36	N/A	Star Washer (5mm)	2	N/A
37	7119405	Protective Cover End Cap Plug	2	2.00
38	7019195	Tie-Rod (Protective Cover)	2	5.00
38a	7019225	Tie-Rod (Protective Cover Long/EG)	2	7.00
39	4170015	Protective Cover End Cap	2	13.00
40	7272105	Protective Cover	1	52.00
40a	7272115	Protective Cover (Long/EG)	1	63.00
41	3900985	Skin Pack: 400	1	134.00
41a	3900975	Skin Pack: 400 EG	1	134.00
42	2167+	Seal Kit	1	73.00
43	6115+*	Oil: 1 qt.	1	21.00
44**	2707	Capacitor 8uF: 220V	1	8.00
45	7228015+	Aluminum Fork Kit	1	56.00

- \* 220VAC 8 uF Motor Part Number is 7790205 167.00
- \* 220VAC 16 uF Motor Part Number is 7700045 167.00
- \*\* 16uF Capacitor for use with 220VAC Motor. Part #: 2706 8.00
- \*\* 25uF Capacitor for use with 115VAC Motor. Part #: 2705 16.00

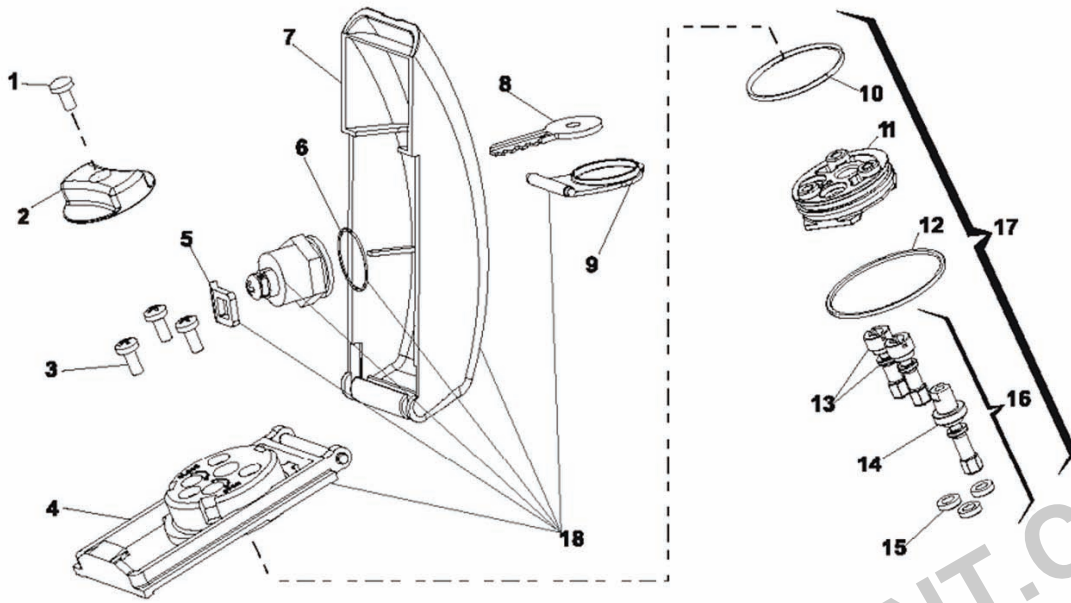


# MODEL 400 BLOW UP AND PARTS LIST



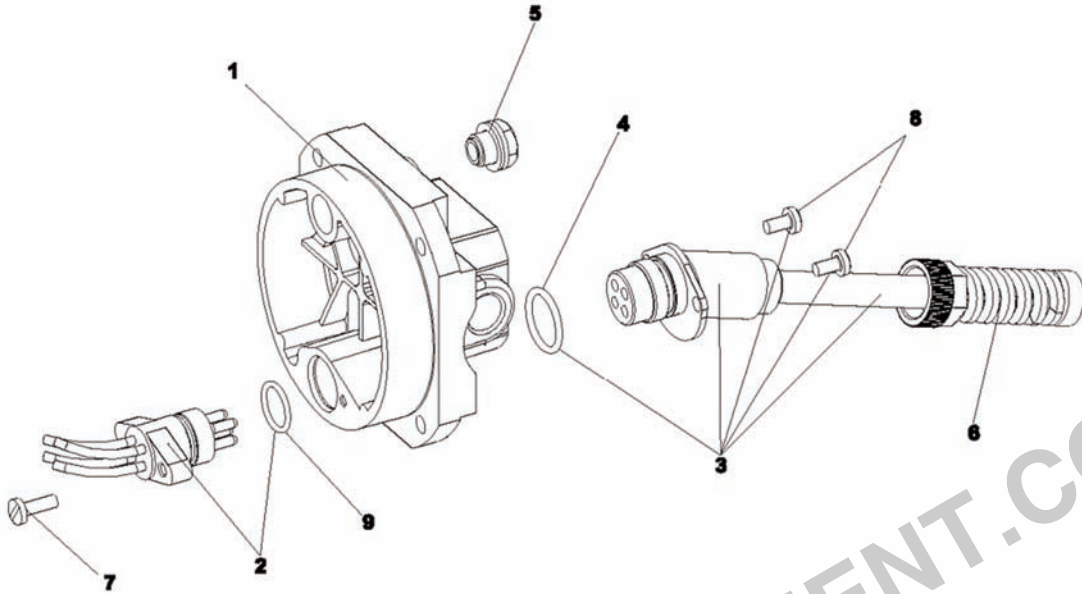
POS	PART NO	DESCRIPTION	QTY	LIST PRICE
1	7049005	Valve Retainer	1	4.00
2	N/A	O-Ring	5	N/A
3	4404065	Inlet Valve	2	5.00
4	7049005	Retainer (Brass)	4	4.00
5	4404085	Lock Valve (Bi-Metal)	2	8.00
6	4994345	Valve Body (CBAC)	1	217.00
7	7230295	Tie-Rod (Cylinder)	4	6.00
7a	7230305	Tie-Rod (Cylinder) (Long/EG)	4	8.00
8	N/A	Star Washer (5 mm)	4	N/A
9	N/A	O-Ring (Shuttle Piston)	1	N/A
10	4180285	Shuttle Piston	1	15.00
11	7366025	Cylinder	1	59.00
11a	7366015	Cylinder (Long/EG)	1	65.00
12	7091015	Piston Rod Seals	2	6.00
13	4350105	Piston Rod Assembly	2	87.00
13a	4350115	Piston Rod Assembly (Long/EG)	2	99.00
14	4994625	Front Flange	1	78.00
15	N/A	Front Flange Bolt (5 x 20 mm)	1	N/A
16	N/A	O-Ring Front Flange (Internal)	1	N/A
17	7090360025	O-Ring (Valve Body)	2	3.00
18	7090815	O-Ring (Retract Tube 06')	2	3.00
19	7049005	Guide Ring (Piston)	1	4.00
20	7361335	Retract Tube	1	24.00
21	4180415	By-Pass Cap Assembly	2	12.00
22	4180415	By-Pass Cap Assembly	2	12.00
23	4180415	By-Pass Cap Assembly	2	12.00
24	7090280015	O-Ring (Manual Release)	1	2.00
25	N/A	Spacer (Manual Release)	1	4.00
26	4180195	Manual Release	1	15.00
27	4180415	Bi-Pass Assembly (06')	2	12.00
28	4404095	Inlet Valve (Bi-Directional)	1	14.00

# MODEL 400 LOCKING CAP PARTS LIST



POS	PART NO	DESCRIPTION	QTY	LIST PRICE
1	2151	Knob Screw (ss) 4mm x 8mm	1	2.00
2	7290445	Manual Release Knob w/ screw	1	9.00
3	N/A	Screw (ss) 4mm x 10mm	3	N/A
4	N/A	Locking Cap Base	1	N/A
5	N/A	Lock	1	N/A
6	7090290015	O-Ring (Lock Cylinder)	1	2.00
7	N/A	Top Cover	1	N/A
8	7131005	Key (Viro)	1	4.00
9	7275275	Cover, Key	1	3.00
10	7090855	O-Ring (Base to Body)	1	2.00
11	N/A	Extension Receptacle	1	N/A
12	7090865	O-Ring Extension Receptacle	1	2.00
13	N/A	By-Pass Extensions	2	N/A
14	N/A	Manual Release Extensions	1	N/A
15	7090845	O-Ring, Extensions	3	3.00
16	490327	Extensions with O-Rings	3	26.00
17	490326	Manual Release Kit	1	31.00
18	4185045	Locking Cap Complete	1	39.00

# MODEL 400 REAR FLANGE PARTS LIST



POS	PART NO	DESCRIPTION	QTY	LIST PRICE
1	7171485	Flange (Rear 08')Manual Release	1	59.00
2	417010	Wiring Harness (08')	1	18.00
3	63001005	Electric Cable	1	61.00
4	N/A	O-Ring (18x1 mm)	1	N/A
5	7110015	Plug (oil fill)	1	2.00
6	7109135	Cable support anti-kink (plastic)	1	5.00
7	N/A	Screw (3x12 mm)	1	N/A
8	N/A	Screw (3x8 mm)	1	N/A
9	7090725	O-Ring (Internal Harness)	1	1.00